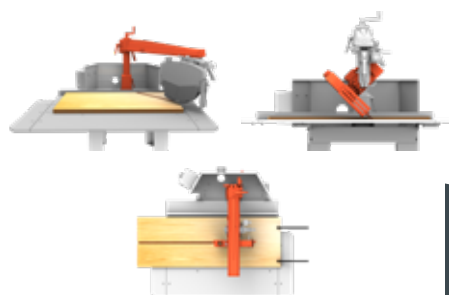




Manual,
radial-arm,
crosscut saw

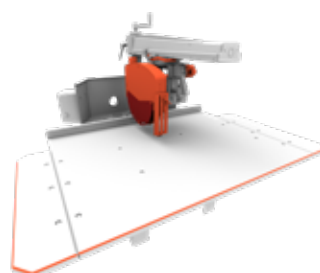
JUNIOR 640

For straight (90°) and miter (45° left) cross cutting, ripping and bevel cutting at 45° left and right, of wooden-based panels and solid wood boards up to 3mt. For furniture manufacturing and joinery.



VERSATILE

Swivelling arm (0° to 45° left and right) and tilting cutting-head (stop and lock at 45° left) allow many different cutting operations for the greatest versatility. The cutting-head can also turn by 90° for accurate ripping.



SAFE

Sound-insulated, full-cover blade guard with safety microswitch, anti-kickback, well-dimensioned working bench, emergency button and push-sticks definitively contribute to the operator safety during the cutting process.



SOLID AND ACCURATE

Rugged steel construction, arm and base made of cast iron. Interchangeable and tempered-steel made guides. Cutting head sliding on 8 ball bearings for a smooth, precise and effortless carriage movement.

- **Small footprint** : well suited to small workshops
- **Easy to use**
- **Versatile**
- **Useful complement** to panel saws

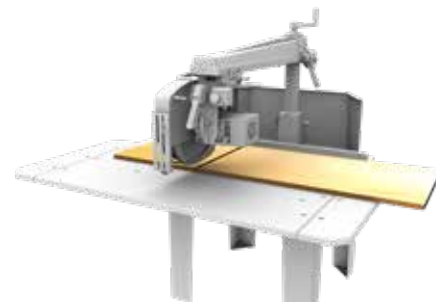


JUNIOR 640 SERVICE

Worldwide after-sale service.
Real-time, on-line remote assistance through a dedicated augmented reality APP.
Spare-parts availability for up to 10 years, shipment within 24 hrs

DATA SHEET

Max. cutting height:	125 mm
Max. cutting width	545 x 20 h mm
Min. cutting width	450 x 125 h mm
Max. length of workpiece	unlimited
Max. cutting width for ripping	0 - 860 mm
Cutting height at 45°	0 - 80 mm
Min. and Max. cutting width at 45° (right)	315 - 380 mm
Min. and Max. cutting width at 45° (left)	125 - 190 mm
Height of blade from working bench	0 - 45 mm
Blade diameter	400 mm
Blade bore diameter	30 mm
Motor	HP / KW 4/3 RPM 2800
Working bench dimensions	15470x1025mm
Diameter of dust collection nozzle on blade guard	60 mm
Diameter of dust collection nozzle on rear hood	100 mm
Overall dimensions of full- assembled machine	1540x1375x1540 mm
Package dimensions and weight	1420x850x600 mm 232 Kg



THE MOST POPULAR

Cutting width up to 545 mm. All-around performance. Well-suited also for the hobbyist.

CUTTING HEIGHT

CUTTING

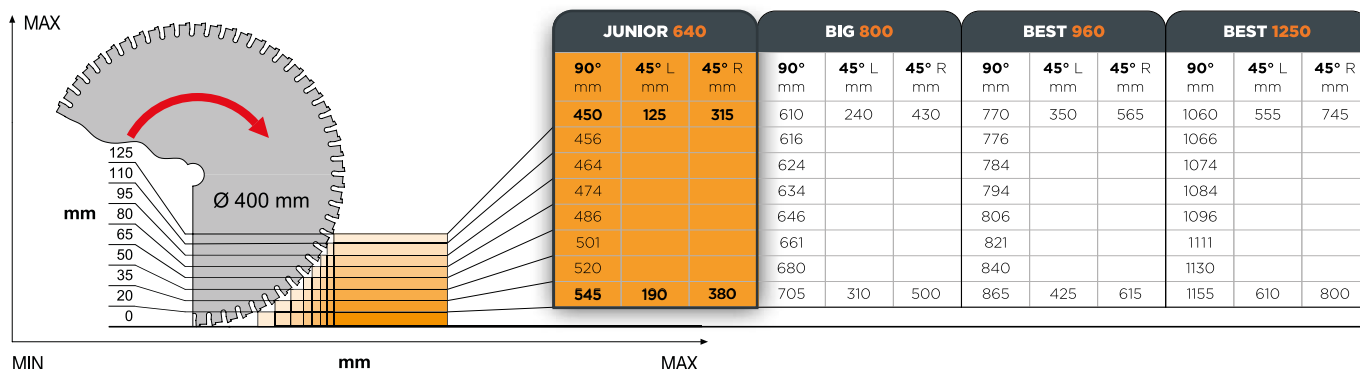
45°
SX



45°
DX

WIDTH

90°



SERVICE

+39 0571 635 433

service@maggi-technology.com

MAGGI TECHNOLOGY

Via delle Regioni, 299
50052 Certaldo (Firenze) Italia

SALES

+39 0571 635 474

sales@maggi-technology.com



MADE
in ITALY