

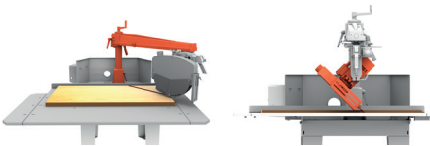


Manual,
radial-arm,
crosscut saw



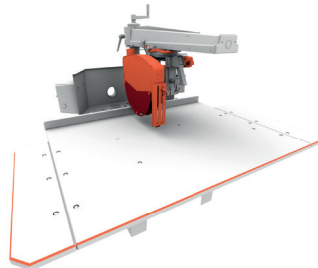
BIG 800

For straight (90°) miter (45° left) cross cutting, and bevel cutting at 45° left and right, of wooden-based panels and solid wood boards up to 3mt. For furniture manufacturing and joinery.



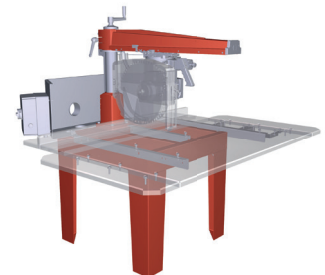
VERSATILE

Swivelling arm (0° to 45° left and right) and tilting cutting-head (stop and lock at 45° left) allow many different cutting operations for the greatest versatility.



SAFE

Sound-insulated, full-cover blade guard with safety microswitch, anti-kickback, well-dimensioned working bench, emergency button definitively contribute to the operator safety during the cutting process.



SOLID AND ACCURATE

Rugged steel construction, arm and base made of cast iron. Interchangeable and tempered-steel made guides. Cutting head sliding on 8 ball bearings for a smooth, precise and effortless carriage movement.

- **Small footprint** : well suited to small workshops
- **Easy to use**
- **Versatile**
- **Useful complement** to panel saws

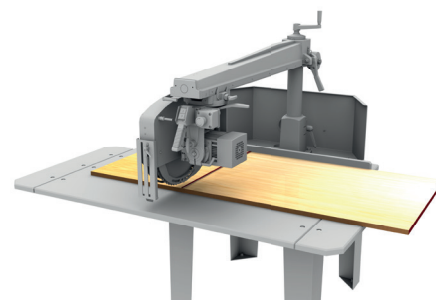


BIG 800 SERVICE

Worldwide after-sale service.
Real-time, on-line remote assistance through a dedicated augmented reality APP.
Spare-parts availability for up to 10 years, shipment within 24 hrs

DATA SHEET

Max. cutting height:	125 mm
Max. cutting width	705 x 20 h mm
Min..cutting width	610 x 125 h mm
Max.length of workpiece	unlimited
Max. cutting width for ripping	-----
Height of blade at 45° from the table	0 - 80 mm
Min. and Max. cutting width at 45° (right)	430 - 500 mm
Min. and Max. cutting width at 45° (left)	240 - 310 mm
Height of blade from working bench	0 - 45 mm
Blade diameter	400 mm
Blade bore diameter	30 mm
Motor	HP / KW 4/3 RPM 2800
Working bench dimensions	1690x1155 x 25mm
Diameter of dust collection nozzle on blade guard	60 mm
Diameter of dust collection nozzle on rear hood	100 mm (n°2)
Overall dimensions of full- assembled machine and net weight	1690 x 1560 x h1598 mm - 225 kG
Package dimensions and gross weight	1420 x 850 x 750mm peso 237 Kg
Dimensions and gross weight half assembled machine	1380x920x960 mm / 251 kg



MEDIUM-DUTY, PROFESSIONAL

Cutting width up to 705 mm; it meets most of the working needs

CUTTING HEIGHT

CUTTING

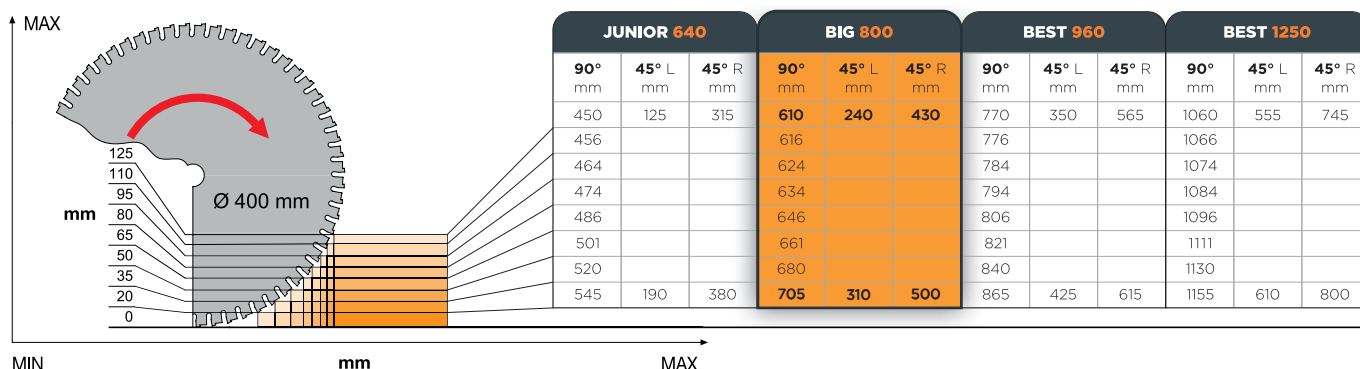
45°
SX



45°
DX

WIDTH

90°



SERVICE

+39 0571 635 433

service@maggi-technology.com

MAGGI TECHNOLOGY

Via delle Regioni, 299
50052 Certaldo (Firenze) Italia

SALES

+39 0571 635 474

sales@maggi-technology.com



maggi
TECHNOLOGY

MADE
in ITALY