

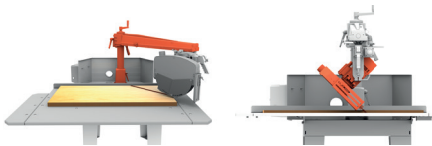


Manual,  
radial-arm,  
crosscut saw



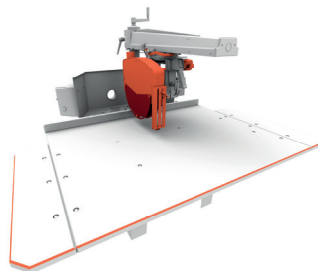
## BIG 800

For straight (90°) miter (45° left) cross cutting, and bevel cutting at 45° left and right, of wooden-based panels and solid wood boards up to 3mt. For furniture manufacturing and joinery.



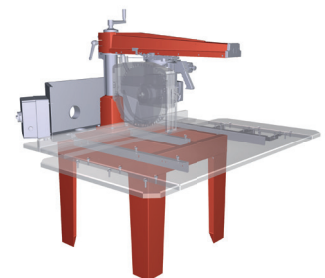
### VERSATILE

Swivelling arm ( 0° to 45° left and right) and tilting cutting-head (stop and lock at 45° left) allow many different cutting operations for the greatest versatility.



### SAFE

Sound-insulated, full-cover blade guard with safety microswitch, anti-kickback, well-dimensioned working bench, emergency button definitively contribute to the operator safety during the cutting process.



### SOLID AND ACCURATE

Rugged steel construction, arm and base made of cast iron. Interchangeable and tempered-steel made guides. Cutting head sliding on 8 ball bearings for a smooth, precise and effortless carriage movement.

- **Small footprint** : well suited to small workshops
- **Easy to use**
- **Versatile**
- **Useful complement** to panel saws

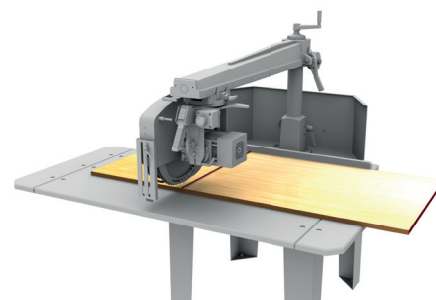


# BIG 800 SERVICE

Worldwide after-sale service.  
Real-time, on-line remote assistance through a dedicated augmented reality APP.  
Spare-parts availability for up to 10 years, shipment within 24 hrs

## DATA SHEET

Max. cutting height:	125 mm
Max. cutting width	705 x 20 h mm
Min..cutting width	610 x 125 h mm
Max.length of workpiece	unlimited
Cutting height at 45°	0 - 80 mm
Min. and Max. cutting width at 45° (right)	430 - 500 mm
Min. and Max. cutting width at 45° (left)	240 - 310 mm
Height of blade from working bench	0 - 45 mm
Blade diameter	400 mm
Blade bore diameter	30 mm
Motor	HP /KW 4/3 RPM 2800
Working bench dimensions	1690x1155mm
Diameter of dust collection nozzle on blade guard	60 mm
Diameter of dust collection nozzle on rear hood	100 mm
Overall dimensions of full- assembled machine	1690x1557x1598 mm
Package dimensions and weight	1420x850x600 mm - 237 Kg



### MEDIUM-DUTY, PROFESSIONAL

Cutting width up to 705 mm; it meets most of the working needs

### CUTTING HEIGHT

### CUTTING

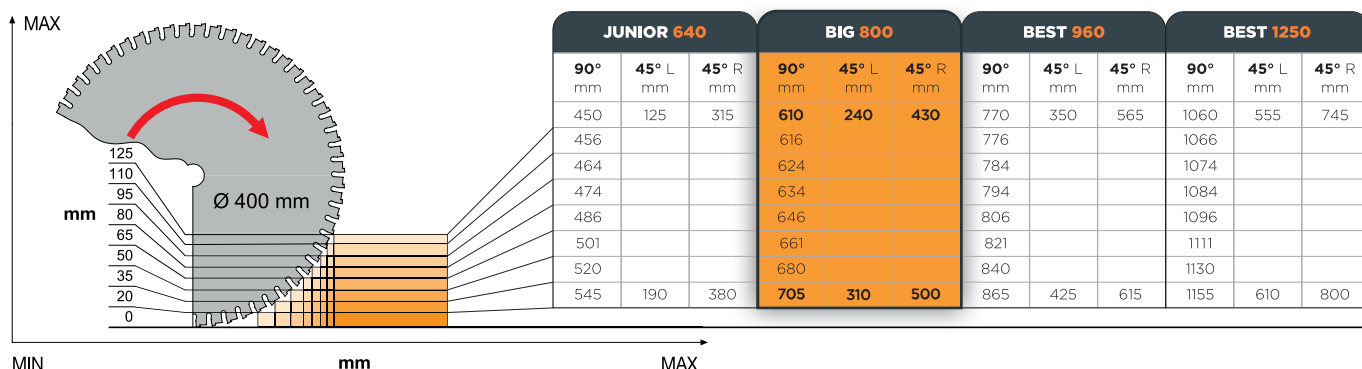
45°  
SX



45°  
DX

### WIDTH

90°



### SERVICE

+39 0571 635 433

service@maggi-technology.com

### MAGGI TECHNOLOGY

Via delle Regioni, 299  
50052 Certaldo (Firenze) Italia

### SALES

+39 0571 635 474

sales@maggi-technology.com



**maggi**  
TECHNOLOGY

MADE  
in ITALY